

Rapid 500



The formula **for success**

Rapid's "open-hearted" engineering concept is now built into each granulator model of its Rapid 300, 400 and 500 Series. The big benefit of being open-hearted is that it boosts performance by providing direct and easy access to the heart of a machine to achieve very rapid cleaning and maintenance times for fast production changeovers. Such extremely short pit stops maximize uptime and minimize labor costs. The clear access to core machine parts also allows "visibly clean" inspection and approval, preventing contamination at color and material changes.

Once again, Rapid confirms that it leads the field with innovative design and makes no compromises in providing you with high-performance granulators.



**Quality regrind –
for consistent production
processes**



Extremely short pit stops

Saving costs by simplifying your cleaning and service dramatically

Maximize uptime

Efficiency is about uptime, uptime is about simplicity.

“Visibly clean” inspection

Prevent cross-contamination when changing material or colour.

No compromises

In Rapid we make no compromises, that’s why we are the most trusted name in granulators.

Rapid 500 series

“Open-Hearted Engineering”

Improved safety interlock

The new design of the safety interlock system allows quicker opening of a granulator. It is also safer because its speed-related sensor ensures that the rotor is standing still before the granulator can be opened.



Easy cleaning and maintenance

The outstanding ergonomic design of all models allows you to rapidly reach the heart of the machine and gain access to appropriate parts to achieve fast cleaning, maintenance and changeover times. “Visibly clean” inspection and approval is a further benefit.



Highest-quality regrind

The Rapid cutting technique, comprising clean double scissors-cutting action and constant cutting circle, produces granules of a uniform size with minimal dust content even with the toughest materials.



Less energy

The true double scissors action reduces the force needed to slice through plastic waste. Therefore a smaller motor can be used to significantly reduce energy consumption.



Reversible screen

The screen can be turned, providing longer lifetime and maximum durability.



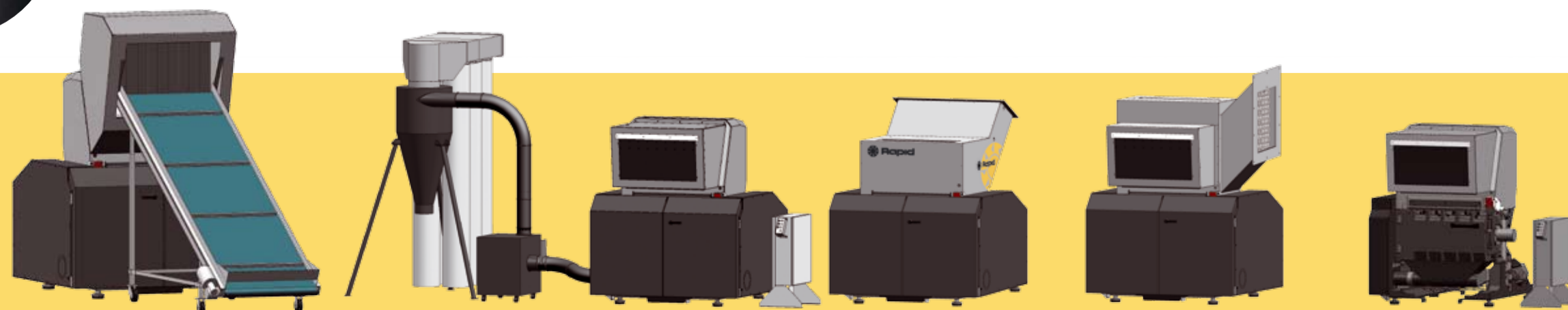
Power-assisted opening/closing

Rapid opening and closing of the in-feed hopper is assured by gas springs or a motor-driven jack.



Infeed configurations

A great number of hopper alternatives are available as standard options depending on application and infeed method. Most of the standard hoppers are of modular design and can be easily re-configured later if needed.



Specifications

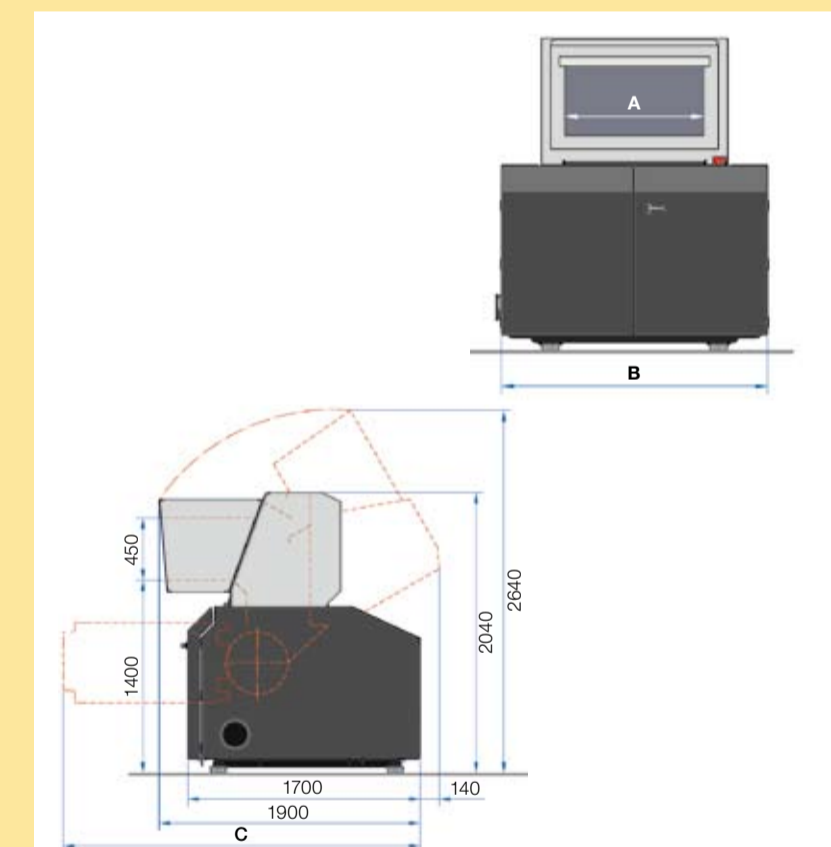
	500-60	500-90	500-120
Rotor diam. (mm)	450		
type	3-blade, open		
Rotating knives	6		
Fixed knives	4		
Cutterhouse, Super-T/T, mm	620x580	920x580	1220x580
Pre-cut, mm	620x460	920x460	1220x460
Hopper inlet	600x450	900x450	1200x450
Motor, standard, (kW)	22	30	37
alternatives	18.5 / 22 / 30 / 37 / 45 / 55		
Throughput capacity, (kg/h)	up to 600	up to 900	up to 1200
Weight (kg)	3000	3300	3600

Features

- Pre-adjustable knives
- Double scissors cutting action, V-position
- Rotor stand still guard
- Swing-out cutter house front/cradle
- Heavy duty transmission
- Easy removable flaps
- Solid stand with machine shoes
- Electrical jack opening

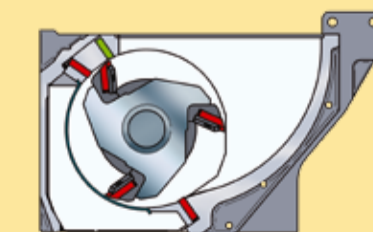
Options

- 5 blade rotor, increase throughput
- PowerTech package, wear resistant execution
- Various hoppers for sheets, pipes/profiles, belt conveyor, roll feed
- Extra fixed knife/knives, increasing throughput
- Screen diam. Std/opt. (mm) 8 4 / 6 / 10 / 12 / 17 / 25
- Extra flywheel
- Knife setting jig
- Level indicator

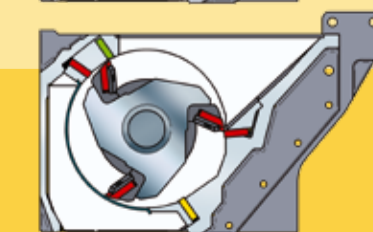


All dimensions in mm.

Model	A	B	C
500-60	600	1440	2500
500-90	900	1740	2600
500-120	1200	2040	2900



Super-Tangential for bulk waste
The two fixed knives as shown (red) are typically used. A third fixed knife (green) is optional for higher capacities. Typical applications are voluminous parts and scrap.



Tangential for extruded materials
The two fixed knives (red) are typically used. One or two additional fixed knives (green/yellow) – are optional to increase throughput when higher capacities are required.



Pre-cut for thicker walled materials
Recommended for heavy-duty granulation of sheets, pipes, profiles and thick-walled materials etc. The third and fourth fixed knives (green/yellow) are optional to increase capacity.

The Most Trusted Name In Granulators

Rapid is the world leader in granulation. We develop, manufacture and market individual granulators and completely integrated recycling solutions for the plastics industry.

With an extensive granulator range, from table-top units to giant machines, we can satisfy virtually all your granulation needs.

Our products are regarded as the most ruggedly built, most dependable and of the highest quality available on the market. And our excellent spare parts service helps to keep them in top condition.

We are dedicated to partnering with you. With over 60 years of experience, a global presence, and more than 70,000 units installed worldwide, we offer you our expertise, our people, and our resources.

Rapid strives to exceed your expectations in recycling plastic waste.



Rapid Granulator AB

Box 9, Industrivägen 4
SE-330 10 Bredaryd, Sweden
Phone: +46 370 86500
Email: info@rapidgranulator.se

Rapid worldwide:

USA info@rapidgranulator.com
Germany info@rapidgranulator.de
Italy info@rapidgranulator.it
China info@rapidgranulator.cn
Singapore rapidsea@pacific.net.sg

www.rapidgranulator.com